

WTR7210

Wideband LTE, 4G, 3G & GSM
Multiposition Antenna

Features

- ◆ Groundplane Independent
- ◆ Covers LTE, cellular, GSM and 3G bands
- ◆ Locks in three positions for flexibility
- ◆ Ideal for fixed and mobile terminals

Specifications

Radiating element	1/2 Wave Element
Frequency range	690-960/1710-2700MHz
Gain	1 dBi
Polarisation	Linear
VSWR	< 2.0:1
Power rating	10W
Connector	SMA-Male (multiposition)
Dimensions	171 x 18mm (max)

Popular Ordering Options

FWTR35292-SM-KR	WTR7270 antenna with SMA-Male connector
-----------------	---

Specifications subject to change without notice.

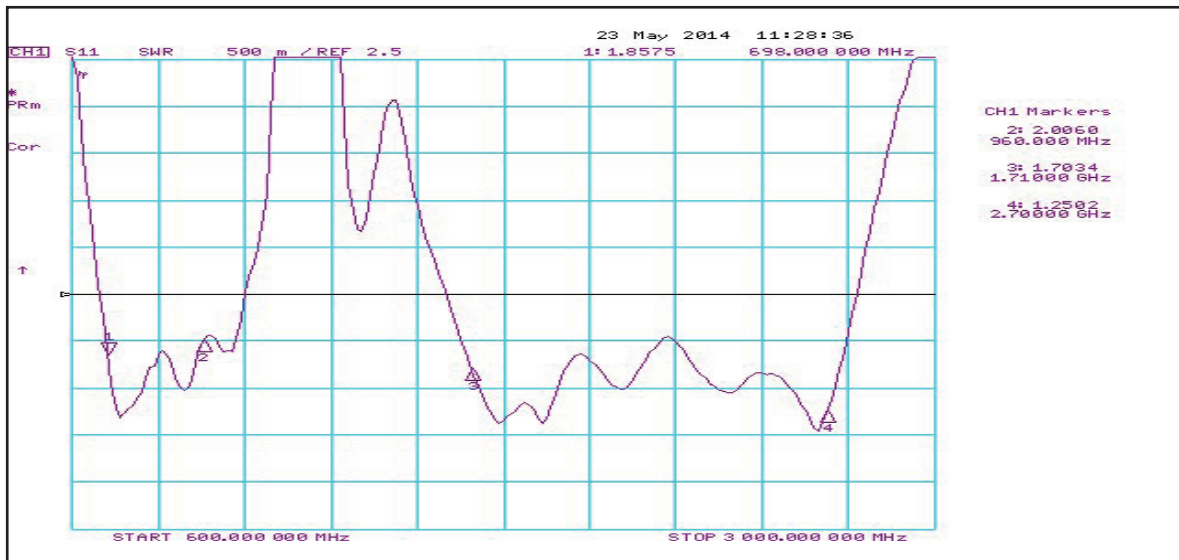
5 Little Balmer
Buckingham Industrial Park
Buckingham
MK18 1TF
UK

Tel: +44 (0)1280 824055
Fax: +44 (0)1280 817179
Email: sales@ead-ltd.com
Web: www.ead-ltd.com

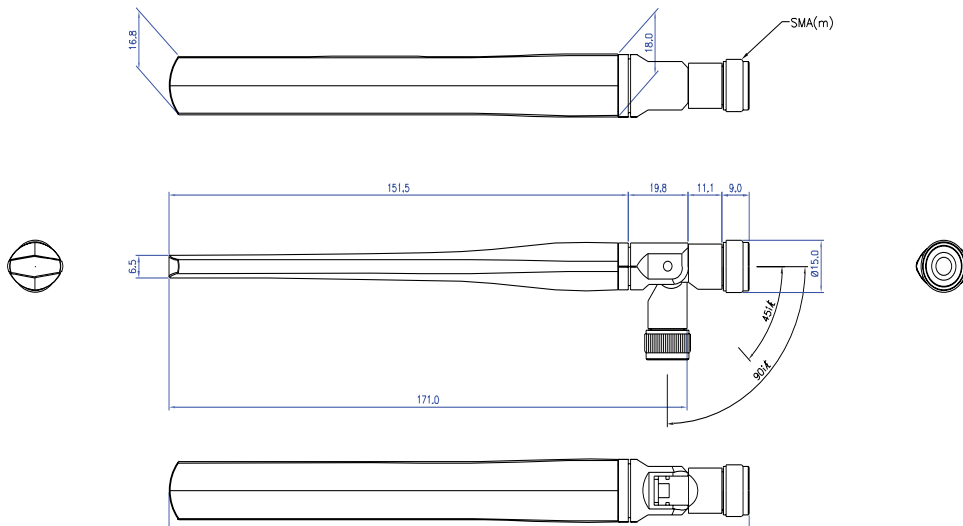


WTR7270 | LTE/4G Multiband Multiposition Antenna

VSWR



Outline Drawing



Specifications subject to change without notice.

5 Little Balmer
 Buckingham Industrial Park
 Buckingham
 MK18 1TF
 UK

Tel: +44 (0)1280 824055
 Fax: +44 (0)1280 817179
 Email: sales@ead-ltd.com
 Web: www.ead-ltd.com