

Targan Quad

Quad Band GSM Stubby Antenna

Features

- ◆ Groundplane Dependent
- ◆ Covers 850/900 and 1800/1900 MHz bands
- ◆ SMA or FME connector options
- ◆ Ideal for fixed and mobile terminals

Specifications

Radiating element	1/4 Wave Element
Frequency range	806-960/1710-1990 MHz
Peak gain	1.0 dBi
Polarisation	Linear
Return loss	< -6.0dB
Power rating	10W
Connector	SMA-Male RA, SMA-Male Straight, FME-Female RA
Dimensions	54 x 8mm (plus connector)

Popular Ordering Options

FTAQ35186-SM-RA	Targan Quad with SMA-Male RA connector
FTAQ35186-SM-ST	Targan Quad with SMA-Male ST connector
FTAQ35186-FM-ST	Targan Quad with FME-Female ST connector
FTAQ35186-FM-RA	Targan Quad with FME Female RA connector

Specifications subject to change without notice.

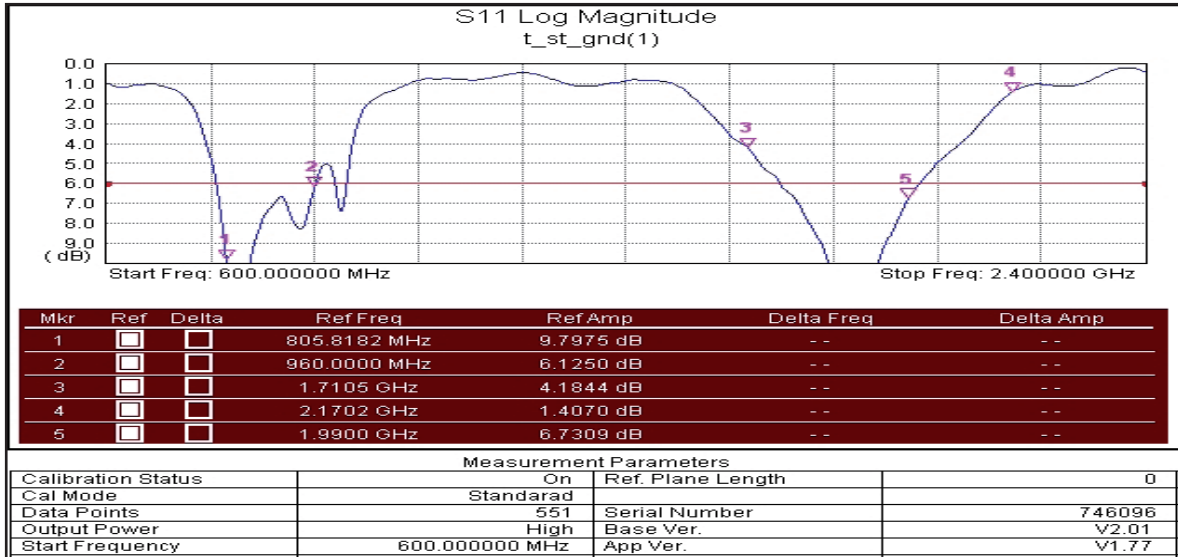
5 Little Balmer
Buckingham Industrial Park
Buckingham
MK18 1TF
UK

Tel: +44 (0)1280 824055
Fax: +44 (0)1280 817179
Email: sales@ead-ltd.com
Web: www.ead-ltd.com

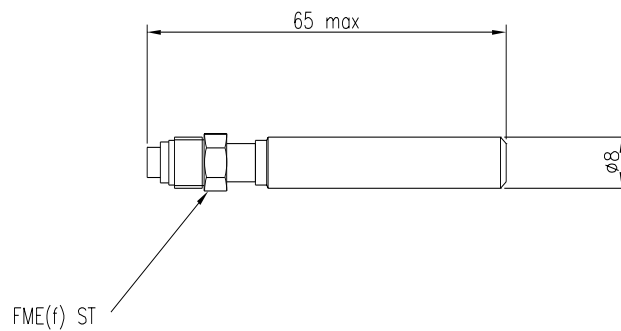


Targan Quad | Quad Band GSM Stubby Antenna

Return Loss



Outline Drawing



Specifications subject to change without notice.

5 Little Balmer
Buckingham Industrial Park
Buckingham
MK18 1TF
UK

Tel: +44 (0)1280 824055
Fax: +44 (0)1280 817179
Email: sales@ead-ltd.com
Web: www.ead-ltd.com