

HGO - 4G

Multi Band Base Station Antenna

DESCRIPTION: New LTE improved multi-band omnidirectional base station antenna. It covers **GSM 900/1800 dual-band, UMTS, WLAN** and **LTE systems**. Thanks to its very new electrical structure, the antenna guarantees high gain on all bands. It is protected by thermoplastic UV stabilized material for the best robustness and long life for outdoor and indoor installations. It is supplied with plastic bracket and fixing hardware for an easy installation on the mast or on the wall and it comes with 50 cm and 5m low loss cable /SMA-m

Electrical Data	
Type	Multi Band Dipole Array
Frequency Range	880-960 MHz for GSM 900 1710-1880 MHz for GSM 1800 1920-2170 MHz for UMTS 2.4 - 2.7 GHz for WLAN and LTE
Impedance	50
Radiation (H-plane)	360° Omnidirectional
Radiation (E-plane)	Beamwidth @ -3dB = see diagrams
Radiation angle deg.	0°
Polarization	Linear Vertical
Gain	5 dBi for GSM 900&1800 6 dBi for UMTS 5.6 dBi for WLAN and LTE
Max Power (CW) @ 30°C	20 Watts for GSM 900 10 Watts for GSM 1800 & UMTS 6 Watts for WLAN & LTE
Cable Type / Length	White Low Loss / 50cm, 5m or other length on request
Connector	SMA-male (other type on request, acc min q.ty)

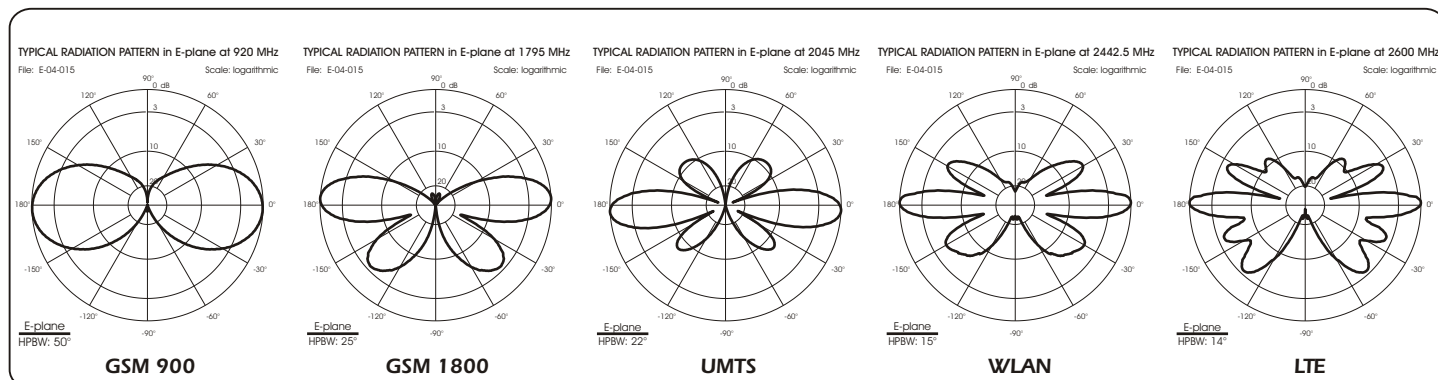
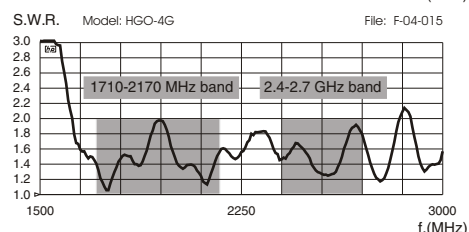
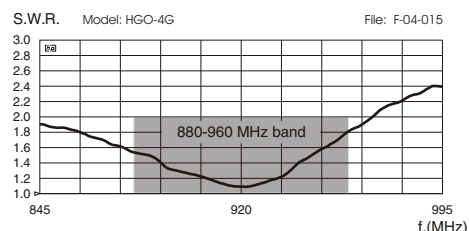
Mechanical Data	
Materials	Thermoplastic UV Stabilized Grey RAL 7035, galvanized steel hardware
Wind Load @150 km/h	36 N
Wind Resistance	200 Km/h
Wind Surface	0.02 m ²
Operating temperature	-20°C to + 80°C
Dimensions (approx.)	335 x 166 x 144 mm with bracket
Weight (approx.)	350 gr
Installation Type	Mast: 25-42 mm with U-bolt (included) Wall: mounting screw (not included)



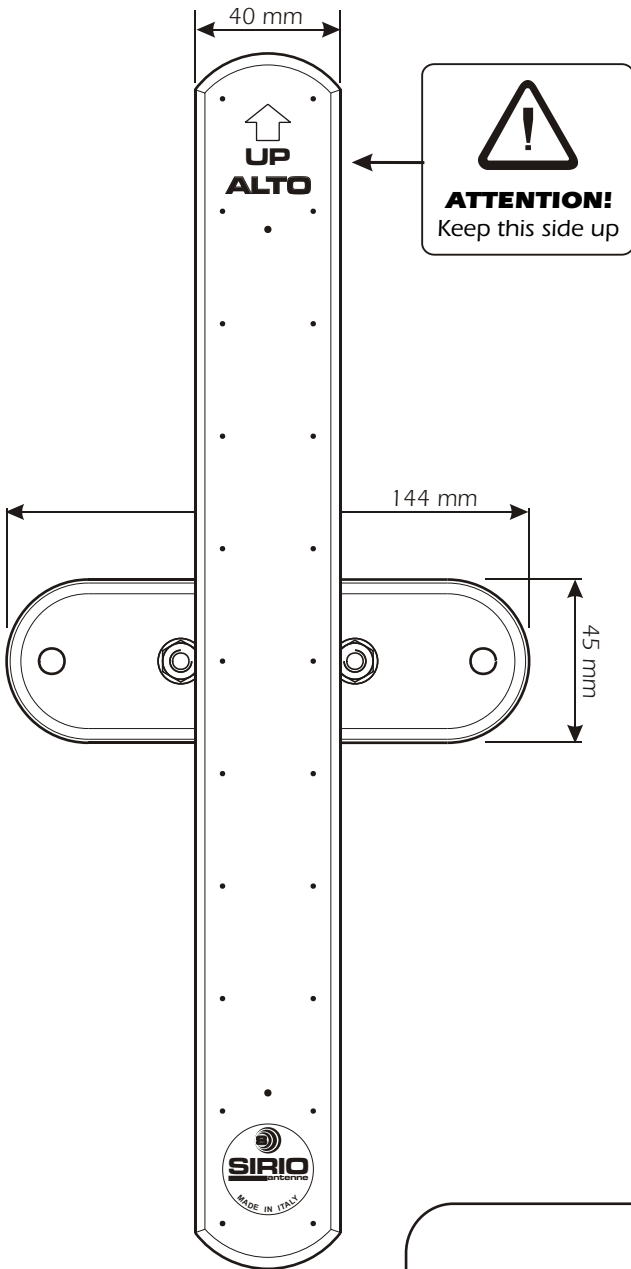
**Very flat
only 8mm
thickness**

**Very compact and
discrete hi-gain
omnidirectional**

TYPICAL S.W.R. RESPONSE



MOUNTING INSTRUCTIONS



Fixing bracket part list	
Q.ty	Description
1	Steel bracket
1	M6x180 U-bolt
2	M6 Flat Washer
2	M6 Lock washer
2	M6 Hexagonal nut

Mounting needed tools:	
n. 1	10 mm open key

