



## Com-Block-ES

### Pentaband Compact Screw Mount Antenna

#### Features

- Low Profile Screw Mount Antenna
- Supports Cellular, GSM & 3G bands
- Cable exits from bottom
- Groundplane Independent

#### Specifications

Radiating element	1/2 wave Element
Frequency range	824-960/1710-2170 MHz
Gain	0 dBi
Polarisation	Linear
Return Loss	-11 dB
Power rating	10W
Cable / Connector	Customisable - SMA, MMCX, FME-F, MC Card, CRC
Dimensions	56x 40x24mm approx (plus flange)

#### Ordering Options

FCBE315190-SM-1K	Com-Block ES with 1M RG-174 and SMA-Male
FCBE35190-FM-2K	Com-Block ES with 2M RG-174 and FME-Female
FCBE35190-SM-2K	Com-Block ES with 2M RG-174 and SMA-Male

Specifications subject to change without notice.

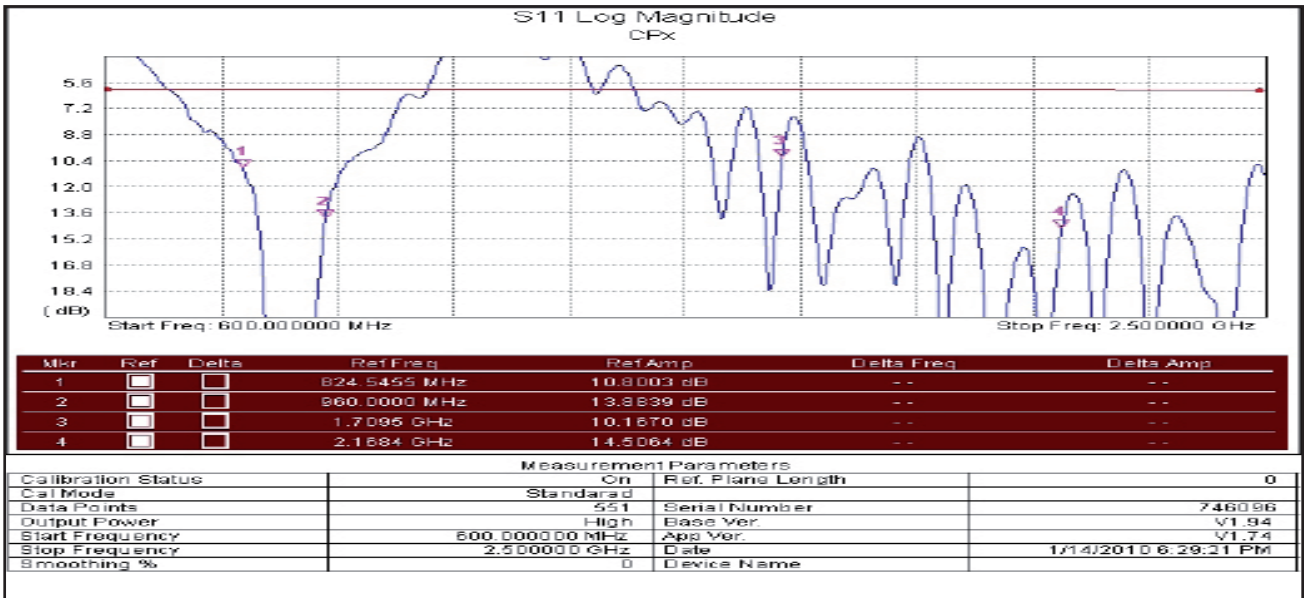
5 Little Balmer  
Buckingham Industrial Park  
Buckingham  
MK18 1TF  
UK

Tel: +44 (0)1280 824055  
Fax: +44 (0)1280 817179  
Email: sales@ead-ltd.com  
Web: www.ead-ltd.com

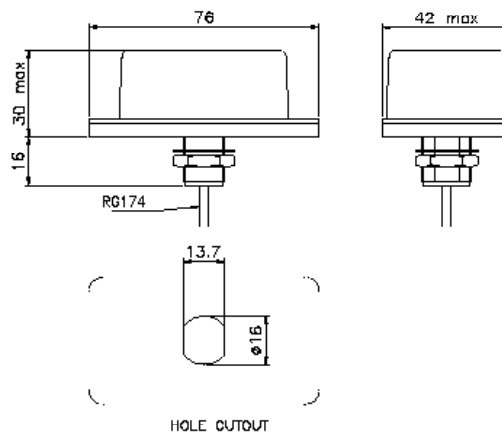


## Com-Block ES | Low Profile Screw Mount Antenna

### Return Loss



### Outline Drawing



Specifications subject to change without notice.

5 Little Balmer  
Buckingham Industrial Park  
Buckingham  
MK18 1TF  
UK

Tel: +44 (0)1280 824055  
Fax: +44 (0)1280 817179  
Email: sales@ead-ltd.com  
Web: www.ead-ltd.com