



CPG

Cellular/GSM/3G and GPS Low Profile Puck Antenna

Features

- Low Profile Puck Antenna
- Pentaband Cellular/GSM/3G
- Active GPS patch element
- Fully Waterproof when mounted

Specifications

	GSM/3G	GPS
Radiating element	1/2 Wave Element	Ceramic Patch (GPS)
Frequency range	824-960/1710-2170 MHz	1575.42 +/- 1.042 MHz
Peak gain	3 dBi	28 dB with LNA (GPS)
Polarisation	Linear	RHCP
VSWR	<2.5:1	
Power rating	10 W	
Impedance	50 Ohms	50 Ohms
Noise Figure		Max.2.0 (Typical 1.0)
Power Consumption		20 mA (Max)
Dimensions	102 x 33.5mm (dxh)	102 x 33.5mm (dxh)

Ordering Options

FCPG35177-FM-SM-2K	CPG with 2M RG174 FME-Female on GSM / SMA-Male on GPS
FCPG35177-SM-SM-2K	CPG with 2M RG174 SMA-Male on GSM / SMA-Male on GPS
FCPG35177-SM-SM-3K	CPG with 3M RG-174 SMA-Male on GSM / SMA-Male on GPS

Specifications subject to change without notice.

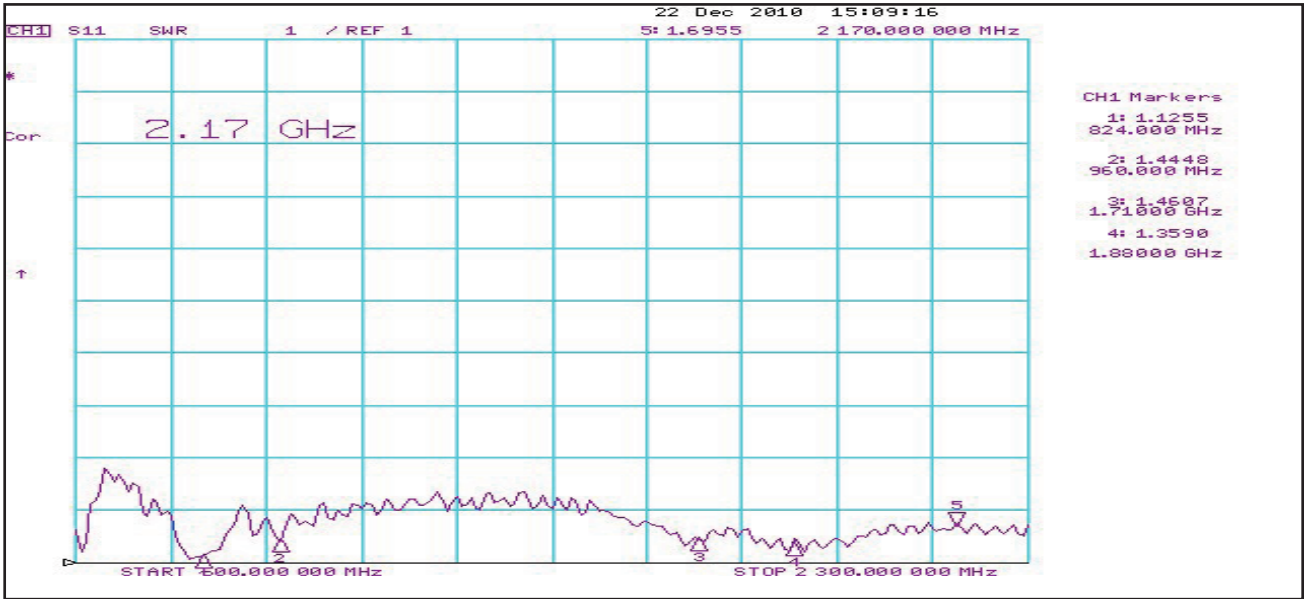
5 Little Balmer
Buckingham Industrial Park
Buckingham
MK18 1TF
UK

Tel: +44 (0)1280 824055
Fax: +44 (0)1280 817179
Email: sales@ead-ltd.com
Web: www.ead-ltd.com

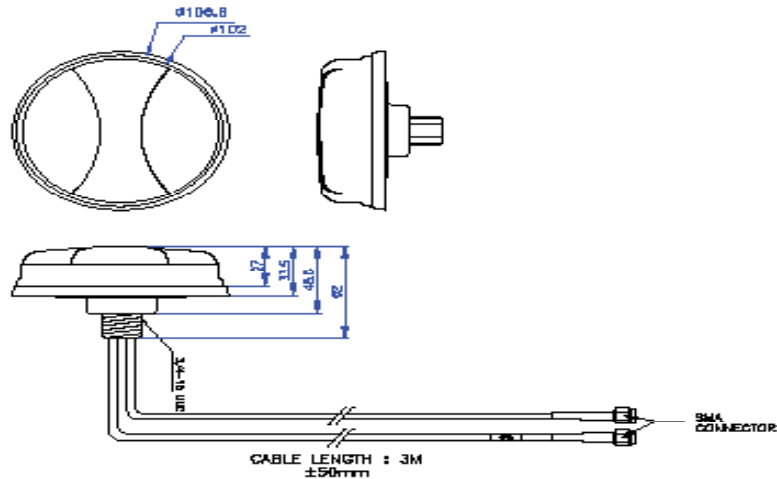
EAD
embedded antenna design ltd
Delivering Antenna Innovation

CPG | Pentaband Cellular /GPS Low Profile Puck Antenna

GSM/3G VSWR



Outline Drawing



Specifications subject to change without notice.

5 Little Balmer
Buckingham Industrial Park
Buckingham
MK18 1TF
UK

Tel: +44 (0)1280 824055
Fax: +44 (0)1280 817179
Email: sales@ead-ltd.com
Web: www.ead-ltd.com