

2J670B

(Datasheet)

Type	Combined Antenna
Frequencies	AMPS (824-894 MHz) GSM (900 MHz) GPS (1575.42 MHz) DCS (1800 MHz) PCS (1900 MHz) 3G (UMTS 2.1 GHz)
Mounting	Body Mount
Revision	00



 
P. Tipul D. Noble



1. SPECIFICATION

1.1. *Electrical Specifications*

Mobile (Cable 1)

Frequencies	AMPS (824-894 MHz) GSM (900 MHz) DCS (1800 MHz) PCS (1900 MHz) 3G (UMTS 2.1 GHz)
Impedance	50 Ohms
Polarization	Horizontal
Gain	2.2 dBi Max
VSWR	<2:1
Power handling	50W
Operating temperature	-40°C to +85°C

Navigation (Cable 2)

Frequencies	GPS (1575.42 MHz)
Impedance	50 Ohms
Polarization	RHCP
LNA Gain	26dB at 3V, 27dB at 5V
VSWR	<1.2:1
Voltage supply	2.7V to 5.5V
Current	15mA to 25mA
Power (max.)	138mW
Operating temperature	-40°C to +85°C

1.2. *Connection Specifications*

Cable 1 (Mobile):

Connector type: FME female
Cable: RG174U
Cable length: 250 cm

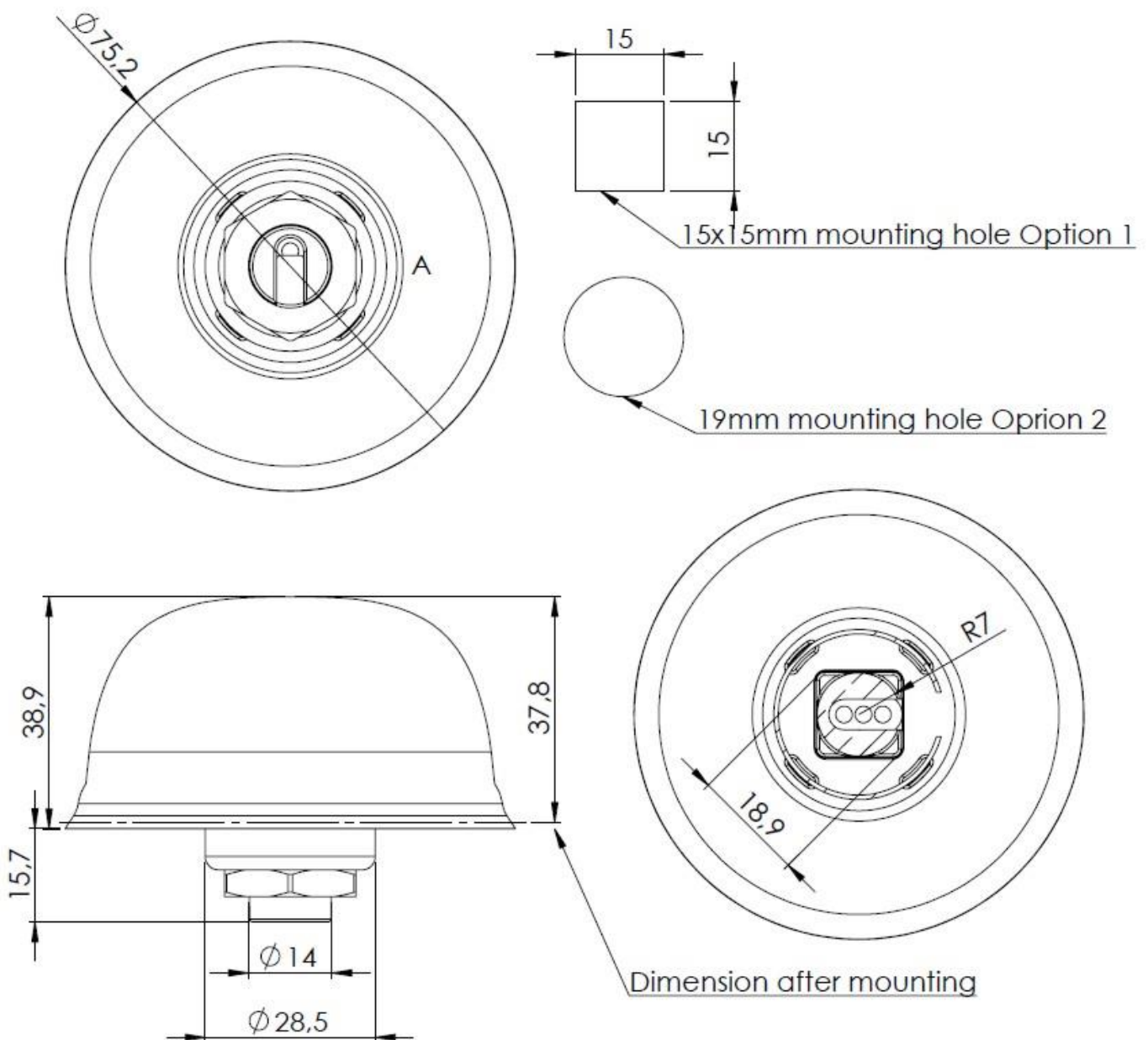
Cable 2 (Navigation):

Connector type: SMA male
Cable: RG174U
Cable length: 250 cm

For different cable length or connector type please ask our sales team.

1.3. Mechanical Specifications and Dimensions

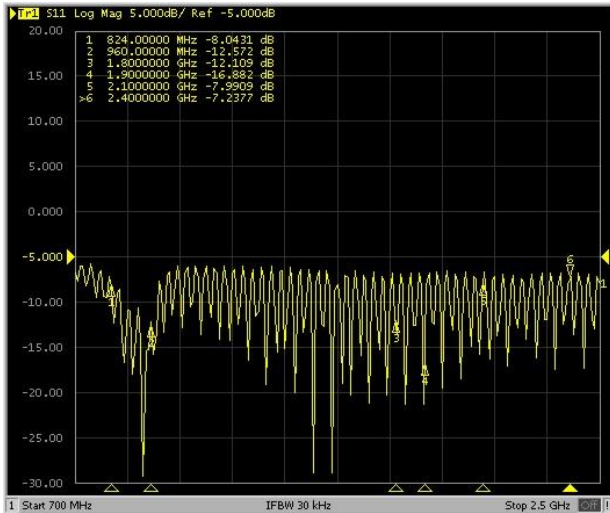
Material:	Lid: ABS / Base: Zamak / Gasket: TPE
Dimensions:	77.3mm x 37.8mm (D x H – dimensions after mounting)
Weight:	210 g ‘counted with default connection’
Colour:	Black (for different colours please ask our sales team)



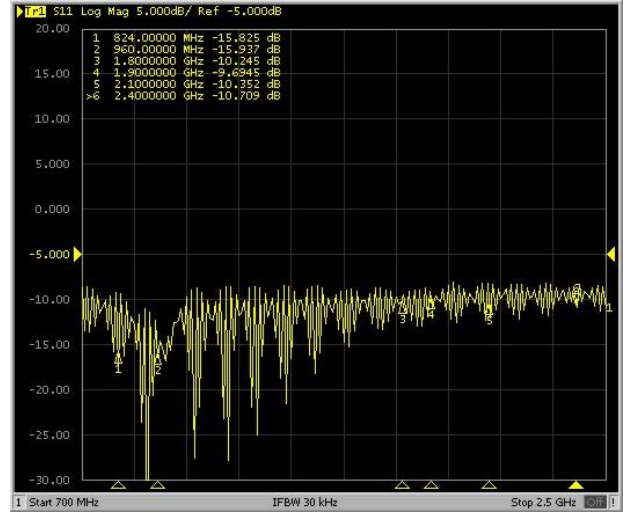
2. MEASUREMENT

Log Mag (Quad band) 3m:

Tested with 3m cable



Tested with 5m cable length

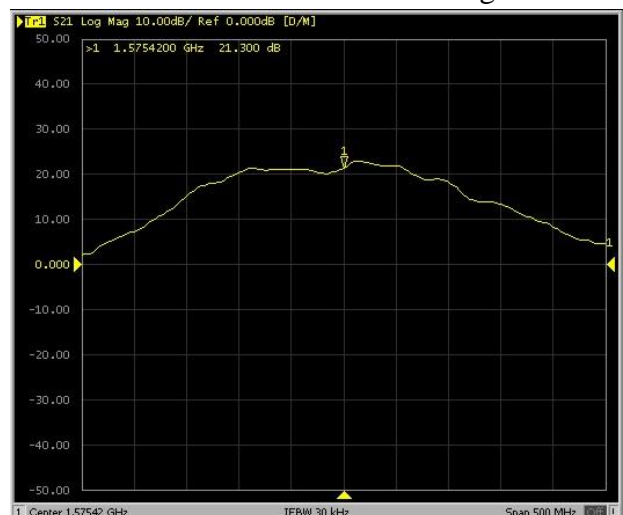


Log Mag (GNSS) at 3V:

Tested with 3m cable length



Tested with 5m cable length



Log Mag (GNSS) at 5V:

Tested with 3m cable length



Tested with 5m cable length

