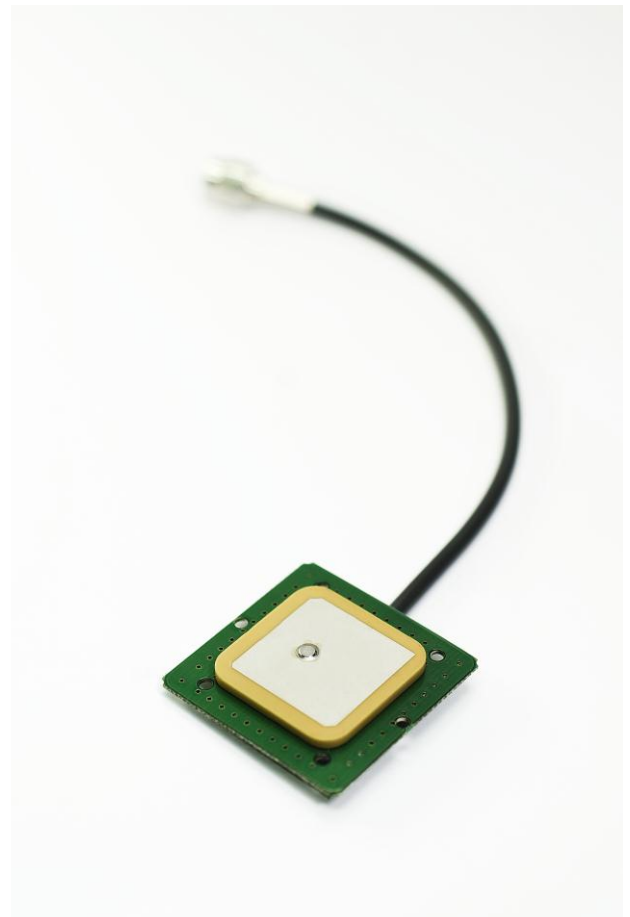


DATASHEET

Type	GNSS module
Frequencies	GPS (1575.42 MHz)
Mounting	Embedded
Part No.	2J408
Revision	00





Obsah

1. SPECIFICATION.....	2
1.1. Electrical Specifications	2
1.2. Connection Specifications	2
1.2.1. Default (recommended)	2
1.2.2. Optional	2
1.3. Mechanical Specifications and Dimensions	3
2. MEASUREMENT.....	3
2.1. Set for Measurements	3
2.2. Electrical Characteristics	4
3. ORDER INFORMATION.....	4

1. SPECIFICATION

1.1. Electrical Specifications

Frequencies	GPS (1575.42 MHz) or GPS/GLONASS(1572 – 1610 GHz)
Impedance	50 Ohms
Noise figure	1.15dB
Polarization	RHCP
LNA Gain	26dB at 3V, 27db at 5V
VSWR	<1.2:1
Voltage supply	2.7V - 5.5V
Current	15mA - 25mA
Power (max.)	138mW
Operating temperature	-40°C to +85°C

1.2. Connection Specifications

1.2.1. Default (recommended)

Connector type:	SMA male
Cable:	RG174U
Cable length:	15cm

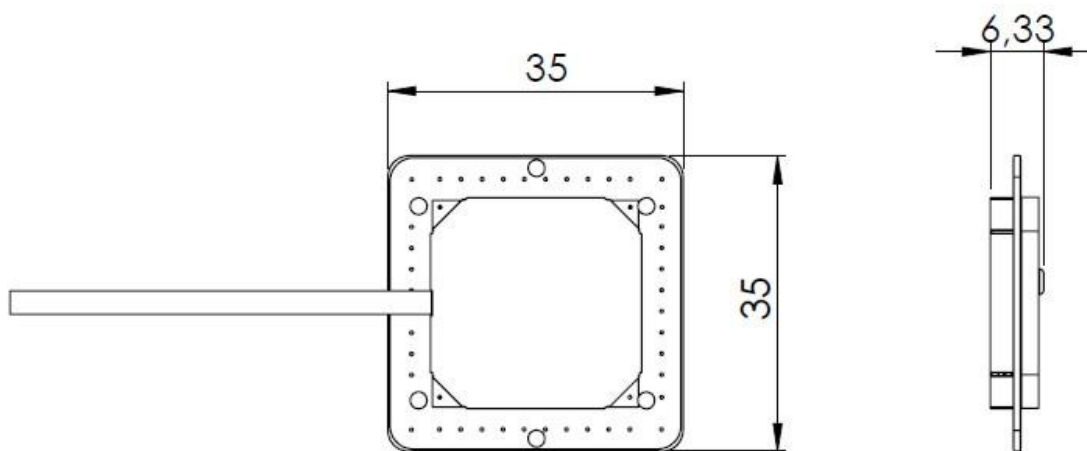
1.2.2. Optional

Suitable cables:	RG174, RG316, Microcoax 1.13
Cable length:	min. 15 cm
Suitable connectors:	All connectors suitable for cables above

1.3. Mechanical Specifications and Dimensions

Standard:
Material: FR4-UL94-V-0
Dimensions: 35mm x 8.3mm x 35mm (L x T x W)

Low profile:
Material: FR4-UL94-V-0
Dimensions: 35mm x 6.3mm x 35mm (L x T x W)



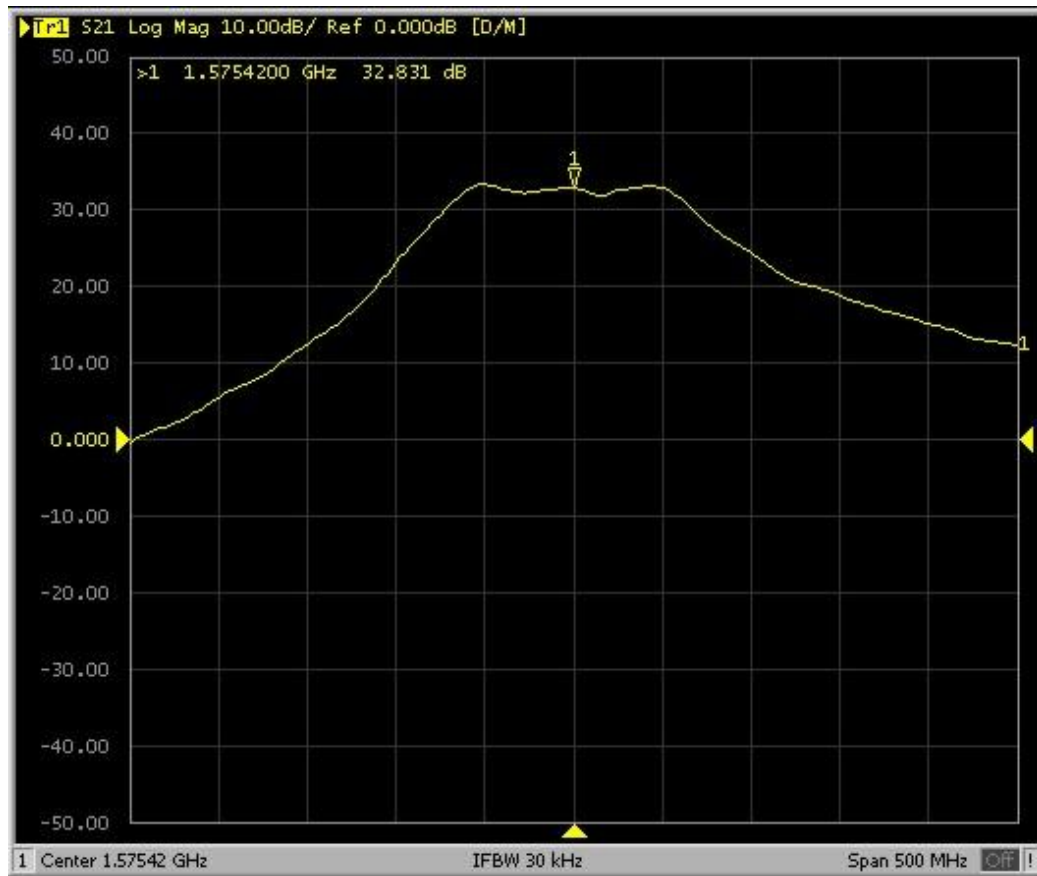
2. MEASUREMENT

2.1. Set for Measurements

Connection: Used default cable length and connection.
Temperature: 25 °C
Input power: 0 dBm
Voltage supply: 5V

DAMS positioner with AUT and reference antenna are placed in anechoic chamber

2.2. Electrical Characteristics



3. ORDER INFORMATION

Standard versions

- 2J408** GPS filtered version with shield box
- 2J408U** GPS filtered version without shield box
- 2J408G** GPS/GLONASS filtered version with shield box
- 2J408GU** GPS/GLONASS filtered version without shield box

Low profile versions

- 2J408-LP** GPS filtered version with shield box
- 2J408U-LP** GPS filtered version without shield box
- 2J408G-LP** GPS/GLONASS filtered version with shield box
- 2J408GU-LP** GPS/GLONASS filtered version without shield box

Other options:

- 2J408xxxD** all versions above can be with limiter diode as well